
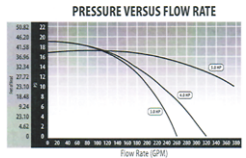
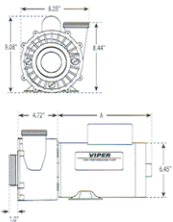


Spa Pumps / Viper - 56-Frame

FEATURES:

- Viper wet end designed specifically for 56-frame motors
- Two double shielded ball bearings with moisture resistant grease for quieter operation and longer life
- Two speed motors have four sets of insulated windings for increased efficiency
- 56-Frame motor for added strength, cooler operating temperature and longer motor life
- Large 2 1/2" intake for improved flow performance and reduced noise
- Large 8" diameter wet end for increased volume capacity
- Soft capacitor (start and run) for less energy consumption
- Thermally protected to extend life expectancy of motor
- Highly versatile wet end can be rotated every 90°
- Wet end seal
- Three year warranty on motor and wet end

Call for available cables and plugs.

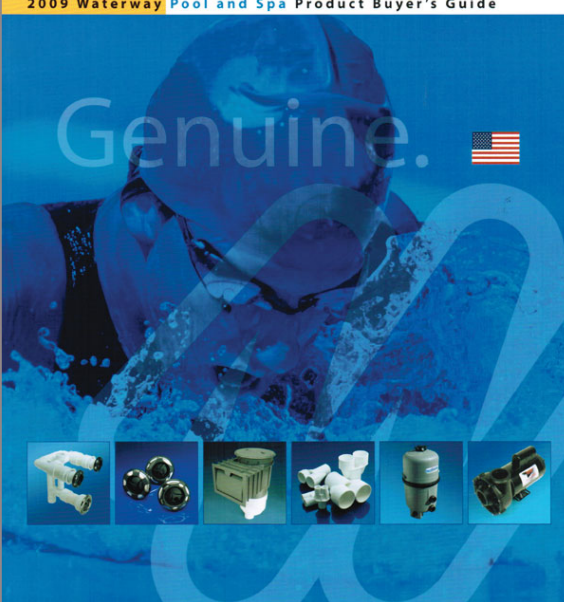


2-Speed Viper 56-Frame Pumps

Part No.	Description	HP	Volts	Amperage High Speed	Amperage Low Speed	HQ	Dimension "X"	List (US \$)
3721221-1T	2 1/2" Intake - 2 1/2" Discharge	3	230	10	3.5	60	11"	618.53
3721621-1T	2 1/2" Intake - 2 1/2" Discharge	4	230	12	4.4	60	11"	685.51
3722021-0T	2 1/2" Intake - 2 1/2" Discharge	5	230	16.4	4.8	60	11"	707.79

1-Speed Viper 56-Frame Pumps




Part No.	Description	HP	Volts	Amperage
3711621-0T	2 1/2" Intake - 2 1/2" Discharge	4	230	12
3712021-0T	2 1/2" Intake - 2 1/2" Discharge	5	230	16.4

2009 Waterway Pool and Spa Product Buyer's Guide

**RECYCLED • SLIP-RESISTANT
• COLORFUL • POROUS
• LOW-MAINTENANCE
• PROVEN DURABILITY...
• ADA ACCESSIBILITY**

Playground and Recreational Surfacing for California Schools, Parks, Homes and more!

ProDek Inc www.prodek.net



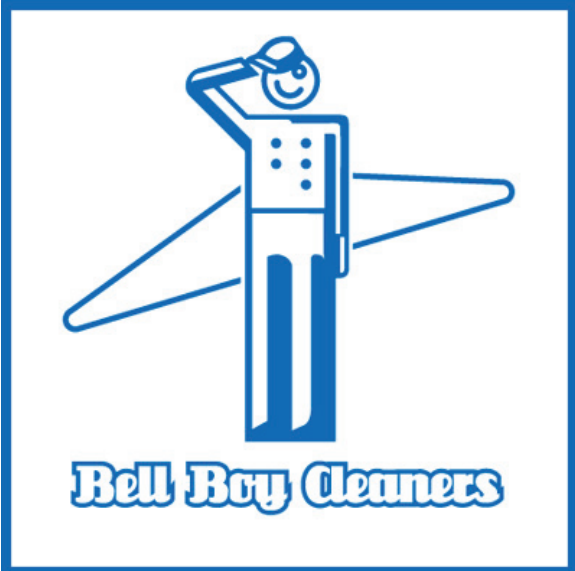
2009

Pool and Spa Product Catalog • Residential Heaters • Commercial Heaters • Parts


A Whittier Company



J. JEFF TOLER



Another Value Ad

Sales Assistant
www.dpc.com
With Toner Cartridge Savings Calculator
DATAPRODUCTS
Sunny Valley, California • Dublin, Ireland
1-800-232-2141 • +353-1-8030500

It's something to get excited about. Really.

Meet your new Sales Assistant. Not just another pretty face either. Dataproducts is offering this little guy to help you sell with precision and confidence. With our Toner Cartridge Savings Calculator, you can plot your customers' savings and watch their excitement. The Sales Assistant also includes the Dataproducts story. See how OEM capabilities and facilities, vast selection and world-wide supply chain management are great reasons to choose Dataproducts toner, inkjet and ribbon supplies. And while your new assistant is working for you, so is Dataproducts with experienced field sales, customer service, marketing and technical support - operating under a stringent ISO 9001 quality system. Contact us now for your mini CD Sales Assistant - Free to qualified customers!

1.800.232.2141 • Fax 1.800.424.2620 • e-mail: sales@dpc.com • www.dpc.com

DATAPRODUCTS

©2004 Dataproducts USA, LLC. All rights reserved. Dataproducts and Dataproducts with its associated logo are registered trademarks of Dataproducts USA, LLC. All other trademarks are the property of their respective holders and are used for identification purposes only.

Take off for the summer.

Lose weight and gain confidence at a neighborhood center near you. For more information:
www.inches-a-weigh.com

Inches-A-Weigh
WEIGHT LOSS CENTERS FOR WOMEN

Efficient, economical... Beautiful.

Waterway 2-speed pumps are proven to be the wise choice in energy savings. Waterway filters are designed for higher flow rate. All Waterway products are designed, engineered and manufactured in America to meet and exceed UL, NSF and ASME/ANSI standards and requirements. I can trust Waterway because... I'm sure it's genuine.

Waterway

2200 East Sturgis Road, Oxnard, California 93030 • Ph. 805-981-0262 • Fax 805-981-9403
email: waterway@waterwayplastics.com • www.waterwayplastics.com

NSF 311 1844
Be Sure It's Genuine

COLORFUL CHARACTERS...

charts, graphics and images are the reason more and more companies are making the switch to color laser printing.

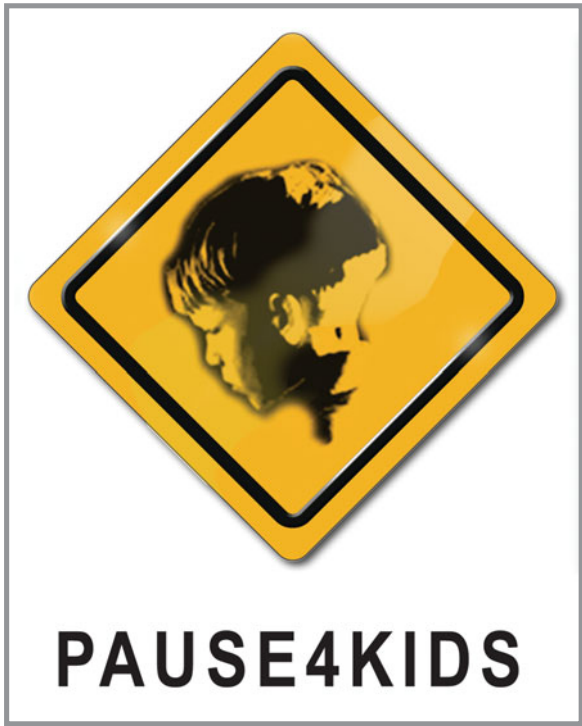
Dataproducts Premium Imaging Supplies help make the switch so much more affordable. Just like our monochrome products, our color toner cartridges are warranted for quality performance at savings that will keep you from seeing red.

DATAPRODUCTS
Premium Imaging Supplies

© 2004 Dataproducts USA, LLC. All rights reserved • ISO 9001:2000



J. JEFF TOLER



J. JEFF TOLER